

| WIRE NO. | DESCRIPTION | WIRE NO. | DESCRIPTION |
|----------|------------------------|----------|-------------------------|
| 1 | BATTERY (+) | 17 | IGNITION SWITCH (ACC) |
| 2 | BATTERY (-) | 18 | IGNITION SWITCH (START) |
| 3 | IGNITION SWITCH (IGN) | 19 | IGNITION SWITCH (STOP) |
| 4 | IGNITION SWITCH (STOP) | 20 | IGNITION SWITCH (STOP) |
| 5 | IGNITION SWITCH (STOP) | 21 | IGNITION SWITCH (STOP) |
| 6 | IGNITION SWITCH (STOP) | 22 | IGNITION SWITCH (STOP) |
| 7 | IGNITION SWITCH (STOP) | 23 | IGNITION SWITCH (STOP) |
| 8 | IGNITION SWITCH (STOP) | 24 | IGNITION SWITCH (STOP) |
| 9 | IGNITION SWITCH (STOP) | 25 | IGNITION SWITCH (STOP) |
| 10 | IGNITION SWITCH (STOP) | 26 | IGNITION SWITCH (STOP) |
| 11 | IGNITION SWITCH (STOP) | 27 | IGNITION SWITCH (STOP) |
| 12 | IGNITION SWITCH (STOP) | 28 | IGNITION SWITCH (STOP) |
| 13 | IGNITION SWITCH (STOP) | 29 | IGNITION SWITCH (STOP) |
| 14 | IGNITION SWITCH (STOP) | 30 | IGNITION SWITCH (STOP) |
| 15 | IGNITION SWITCH (STOP) | 31 | IGNITION SWITCH (STOP) |
| 16 | IGNITION SWITCH (STOP) | 32 | IGNITION SWITCH (STOP) |

| WIRE NO. | DESCRIPTION | WIRE NO. | DESCRIPTION |
|----------|------------------------|----------|------------------------|
| 33 | IGNITION SWITCH (STOP) | 41 | IGNITION SWITCH (STOP) |
| 34 | IGNITION SWITCH (STOP) | 42 | IGNITION SWITCH (STOP) |
| 35 | IGNITION SWITCH (STOP) | 43 | IGNITION SWITCH (STOP) |
| 36 | IGNITION SWITCH (STOP) | 44 | IGNITION SWITCH (STOP) |
| 37 | IGNITION SWITCH (STOP) | 45 | IGNITION SWITCH (STOP) |
| 38 | IGNITION SWITCH (STOP) | 46 | IGNITION SWITCH (STOP) |
| 39 | IGNITION SWITCH (STOP) | 47 | IGNITION SWITCH (STOP) |
| 40 | IGNITION SWITCH (STOP) | 48 | IGNITION SWITCH (STOP) |

| WIRE NO. | DESCRIPTION | WIRE NO. | DESCRIPTION |
|----------|------------------------|----------|------------------------|
| 49 | IGNITION SWITCH (STOP) | 57 | IGNITION SWITCH (STOP) |
| 50 | IGNITION SWITCH (STOP) | 58 | IGNITION SWITCH (STOP) |
| 51 | IGNITION SWITCH (STOP) | 59 | IGNITION SWITCH (STOP) |
| 52 | IGNITION SWITCH (STOP) | 60 | IGNITION SWITCH (STOP) |
| 53 | IGNITION SWITCH (STOP) | 61 | IGNITION SWITCH (STOP) |
| 54 | IGNITION SWITCH (STOP) | 62 | IGNITION SWITCH (STOP) |
| 55 | IGNITION SWITCH (STOP) | 63 | IGNITION SWITCH (STOP) |
| 56 | IGNITION SWITCH (STOP) | 64 | IGNITION SWITCH (STOP) |

| WIRE NO. | DESCRIPTION | WIRE NO. | DESCRIPTION |
|----------|------------------------|----------|------------------------|
| 65 | IGNITION SWITCH (STOP) | 73 | IGNITION SWITCH (STOP) |
| 66 | IGNITION SWITCH (STOP) | 74 | IGNITION SWITCH (STOP) |
| 67 | IGNITION SWITCH (STOP) | 75 | IGNITION SWITCH (STOP) |
| 68 | IGNITION SWITCH (STOP) | 76 | IGNITION SWITCH (STOP) |
| 69 | IGNITION SWITCH (STOP) | 77 | IGNITION SWITCH (STOP) |
| 70 | IGNITION SWITCH (STOP) | 78 | IGNITION SWITCH (STOP) |
| 71 | IGNITION SWITCH (STOP) | 79 | IGNITION SWITCH (STOP) |
| 72 | IGNITION SWITCH (STOP) | 80 | IGNITION SWITCH (STOP) |

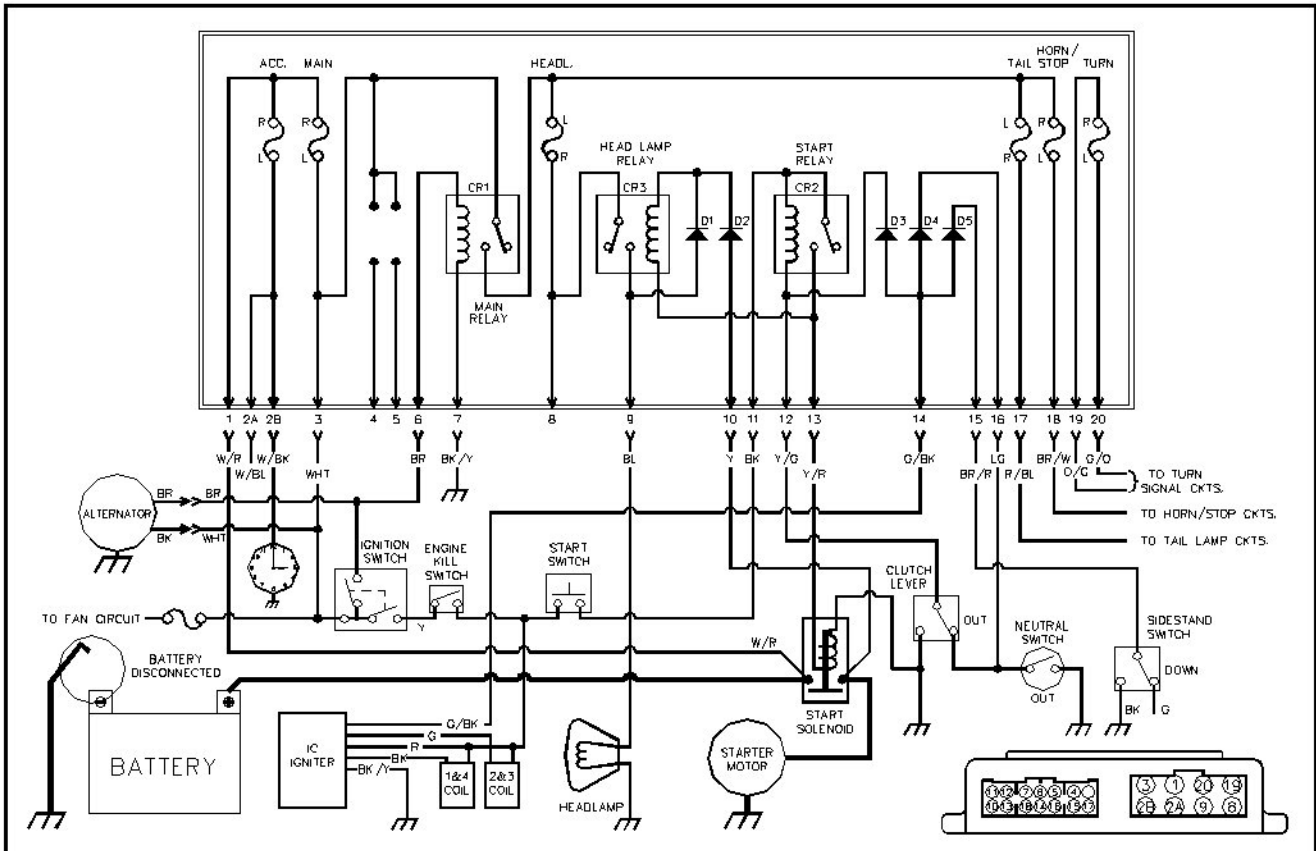


FIGURE 2